



INFINITI

GENUINE PARTS

INSTALLATION INSTRUCTIONS

1. DESCRIPTION: Illuminated Kick Plate Kit

2. APPLICATION: QX60 **NOTE: NOT TO BE INSTALLED ON VEHICLES WITH VIN 5N1ALOMN1DC322101 OR OLDER**

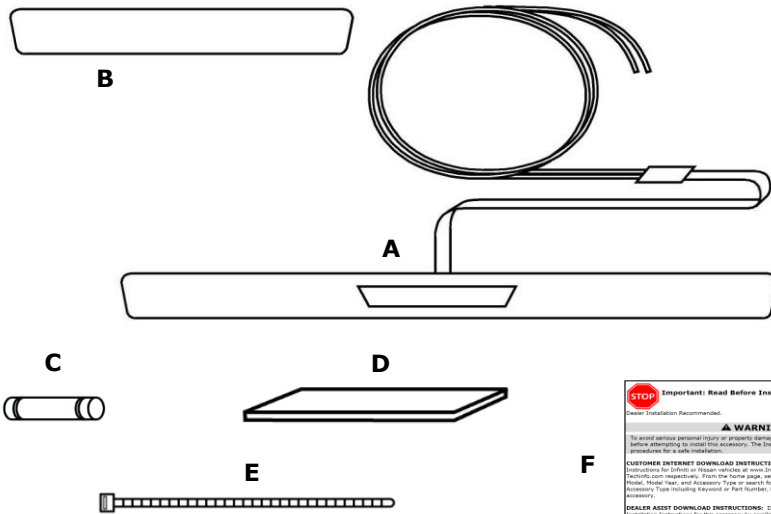
3. PART NUMBER: 999G6 RZ120, 999G6 RZ020

4. KIT CONTENTS:

Item	QTY	Description	Service Part Number
A	2	Illuminated Front Kick Plate	Not Serviceable-Part of Kit RZx20
B	2	Non-illuminated Rear Kick Plate	
C	4	Posi-Tap	
D	12	Foam Tape	
E	24	Cable Tie	
F	1	ACCESSORY WEBSITE ADDRESS PAPER	

ITEMS NOT IN KIT THAT MAY BE REQUIRED

2	Accessory Service Connector	999Q9 AY000
---	-----------------------------	-------------



NOTE:
ACCESSORY HARNESS MAY BE REQUIRED. NOT INCLUDED IN KIT. REFERENCE PART NUMBER 999Q9 AY000.



STOP Important! Read Before Installation
 Dealer Installation Recommended

WARNING
 To avoid serious personal injury or property damage, obtain the Installation Instructions before attempting to install this accessory. The Installation Instructions provide the necessary procedures for a safe installation.

CUSTOMER INTERNET DOWNLOAD INSTRUCTIONS: Customers can obtain Installation Instructions for details of proper use and/or safety. Electronically visit or phone: Dealer, your Retail, Model Year, and Accessory Type or search for your Model, and/or Model Year, and/or Accessory Type including Accessory Part Number. View online the Instructions for your accessory.

DEALER ASSIST DOWNLOAD INSTRUCTIONS: Dealership technicians can locate the Installation Instructions for this accessory by searching to and select "Acc. Install Instructions" link. Please download and use latest version of the Installation Instructions.

Installation Instructions Replacement Version: 0002 AY000 Rev. 03/2014

- 5. TOOLS REQUIRED**
- Trim stick
 - Electrical tape, masking tape.
 - Protective cloth
 - Protective gloves
 - Scissors, tape measure and metric scale
 - Trim removal tool
 - 50/50 alcohol/water solution

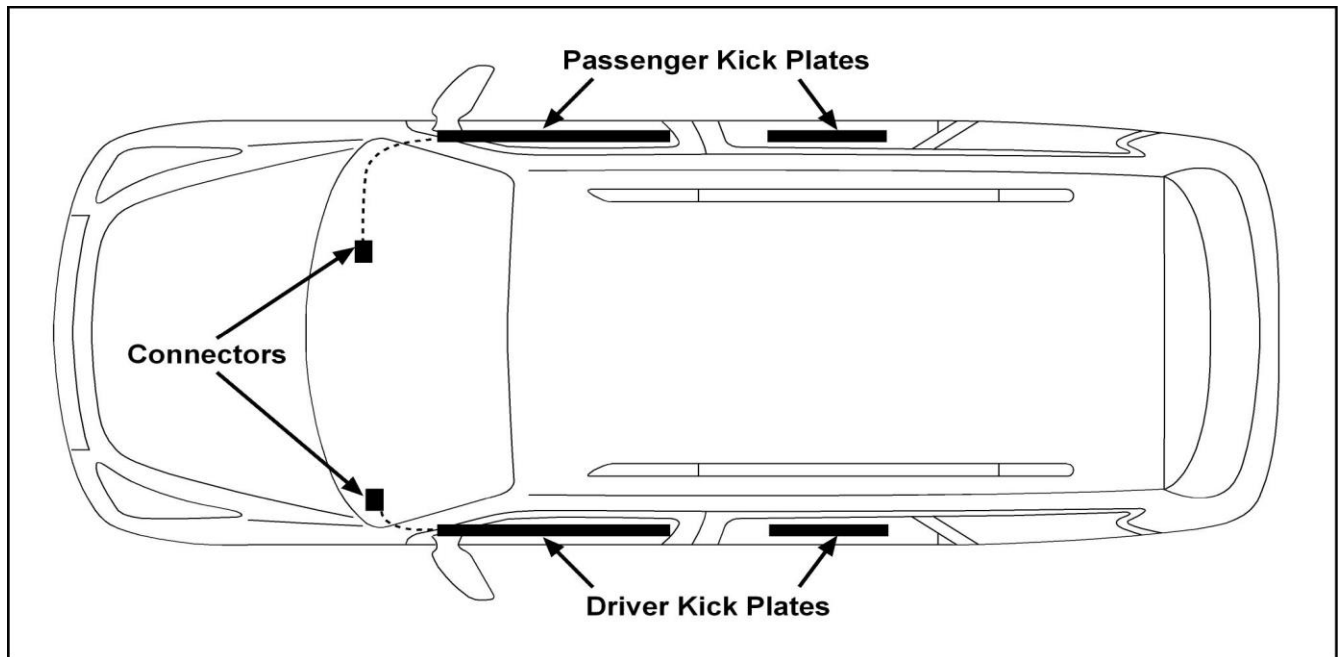
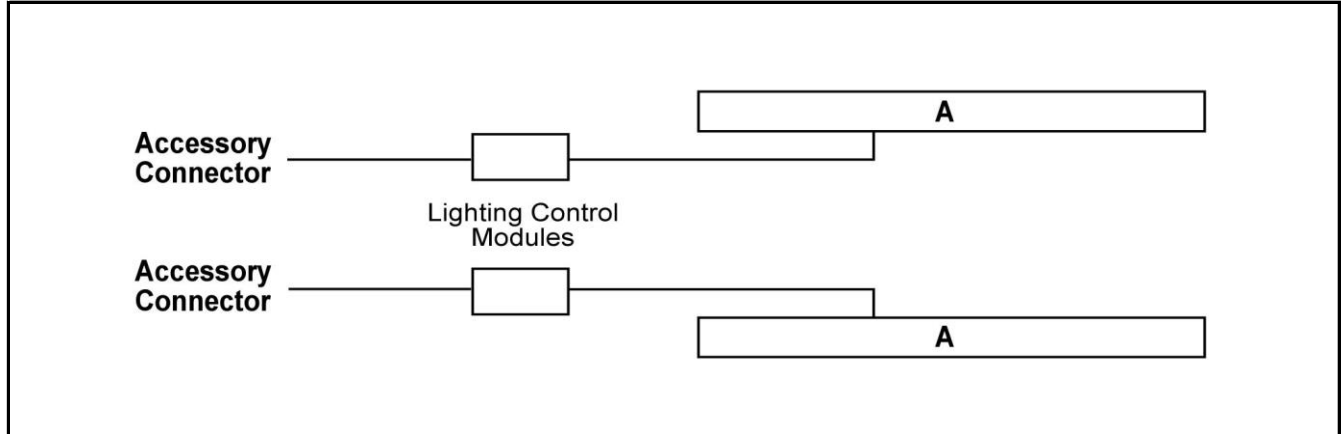
- 6. PRE-INSTALLATION CAUTION/NOTES**
- Dealer installation recommended. Instructions may refer to Service Manual
 - Installation may require special tools
 - This part is to be installed within a surface temperature range of 65-100°F

CAUTION

- This accessory must only be installed as specified in these instructions.
- Ensure at all times that parts are securely fitted and will not compromise the safe function of vehicle systems.

INSTALLATION INSTRUCTIONS - Illuminated Kick Plate Kit

7. INSTALLATION OVERVIEW



8. CRITICAL STEPS

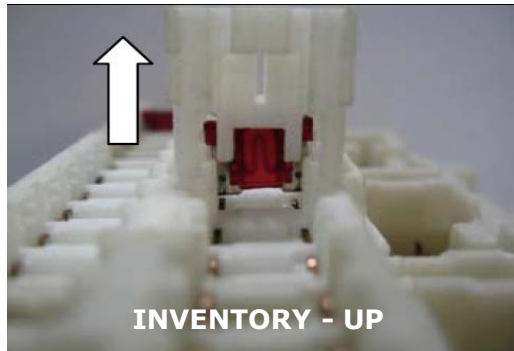
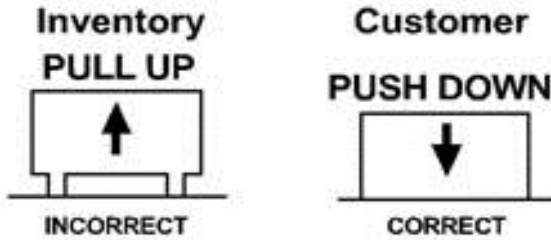
The following steps are critical and must be performed **EXACTLY** as specified to ensure proper installation:

- Location of the lights must be followed exactly as described in this instruction.
- Posi-Tap™ instructions must be specifically followed as described.
- Be sure to apply masking tape as needed in order to protect any areas that may become scratched or damaged by tools.
- Be sure to apply foam tape to any wiring components that can be damaged over time by sharp edges.
- Test the functionality of the kit before final clean up and reinstallation of interior panels.

INSTALLATION INSTRUCTIONS - Illuminated Kick Plate Kit

9. VEHICLE PREPARATION:

- 1) Apply parking brake
- 2) Confirm the vehicle is no longer in the default shipping state (Extended Storage Switch Pulled Up and BCM in Transit Mode). Failure to confirm the vehicle has been removed from this state will result in the loss of normal vehicle operation.
- 3a) Locate the Extended Storage Switch in the cabin fuse block. Once located, check that it is in the "Customer" position. See below for reference.



3b) To remove transit mode:

1. Remove fuse cover lid
2. Push down shorting pin
3. Ign On 2 times without turning vehicle on

To return to transit mode:

1. Ign Off
2. Remove fuse cover lid
3. Pull up shorting pin
4. Assemble fuse cover lid
5. Ign On 2 times without turning vehicle on
6. Confirm transit mode condition on meter

NOTE: Typical vehicle condition shown here. Switch is easily identifiable by the permanent, push-pull fuse holder. Actual position on the fuse block may vary, vehicle to vehicle.

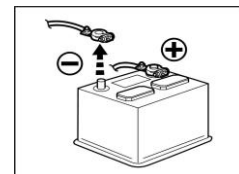
- 4) Record customer radio presets.

	1	2	3	4	5
A					
B					
C					

NOTE: USE CAUTION WHEN REMOVING / RE-INSTALLING TRIM COMPONENTS TO AVOID DAMAGE, SCRATCHES, BREAKING OF CLIPS AND / OR INTERIOR TRIM PANELS. MOVE ALL TRIM COMPONENTS TO A PROTECTED AREA.

WARNING

Move driver and passenger seats to full back position. Disconnect negative battery terminal before proceeding.

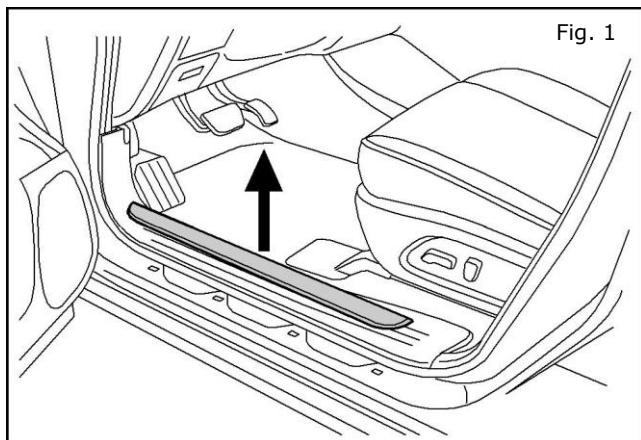


10. Order of Installation

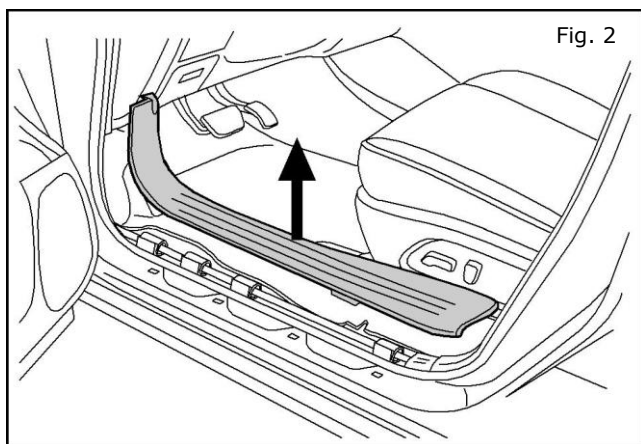
1. Remove panels and trim.
2. Install Kick Plate Assemblies
3. Route Wiring
4. Replace all panels

INSTALLATION INSTRUCTIONS - Illuminated Kick Plate Kit

11. INTERIOR PREPARATION

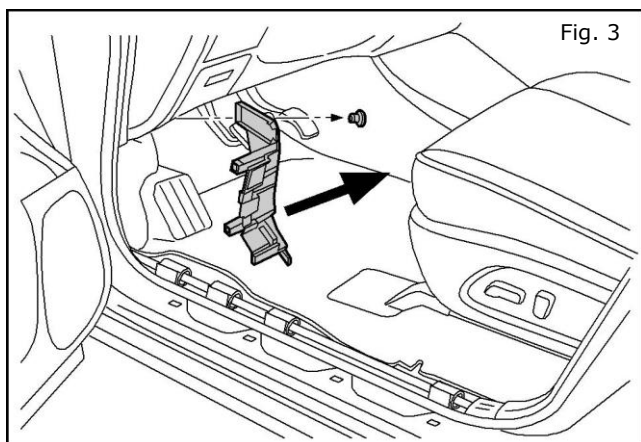


1. Use a trim stick to carefully pry off the existing kick plate from the driver side rocker area.

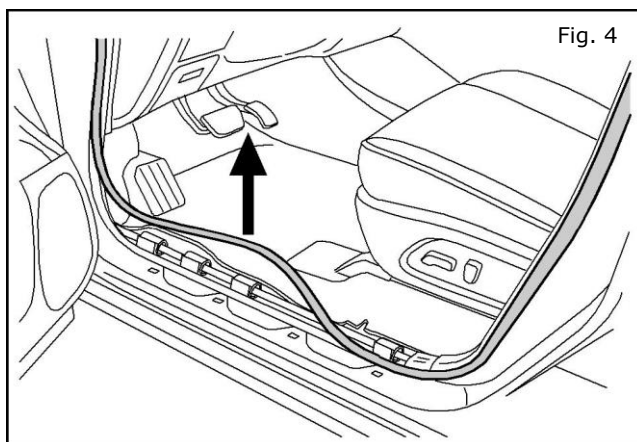


2. Use a trim stick to carefully pry off the trim panel along the bottom door seal from the seat to the footwell.

3. Use a panel popper tool to remove one (1) trim clip. Use a trim stick to pry off the footwell trim panel.



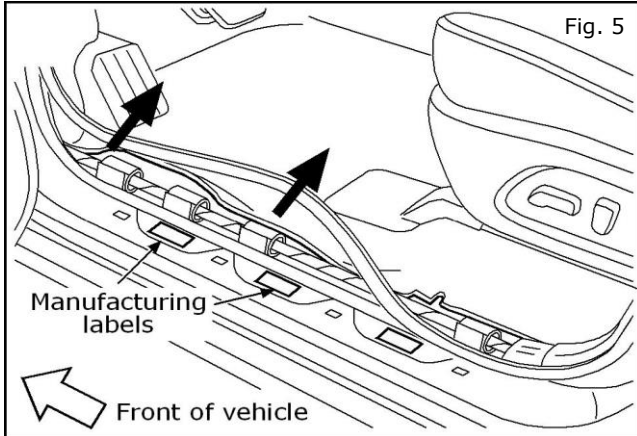
4. Carefully pull back the bottom door seal welt.



5. REPEAT STEPS 1 THROUGH 4 FOR THE PASSENGER SIDE.

INSTALLATION INSTRUCTIONS - Illuminated Kick Plate Kit

12. INSTALLATION

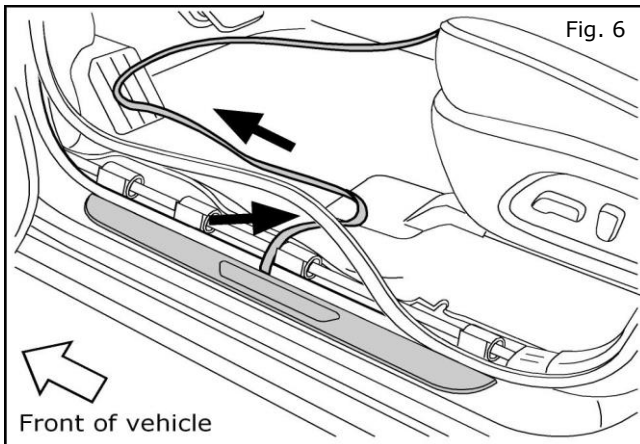


DRIVER SIDE INSTALLATION

5. Carefully pull back carpet edge to expose existing harness and clips.

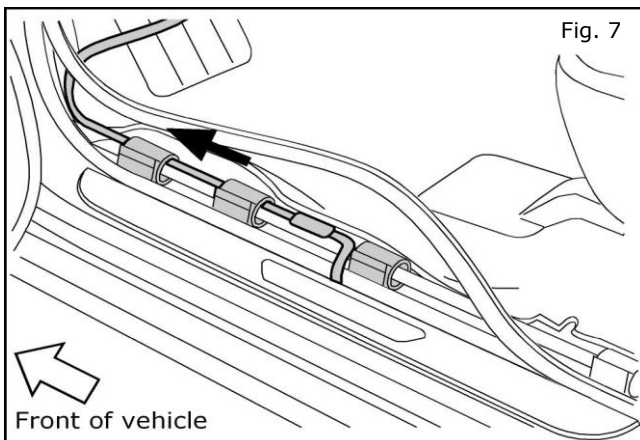
Note: Manufacturing bar code labels do NOT need to remain on the vehicle. Be sure to remove these labels or the Kick Plate adhesive mounting strips may not adhere properly.

Clean all mounting surfaces with alcohol wipe before final installation.



6. Place new Illuminated Kick Plate into position on the driver side door sill and feed the wiring through under the door welt.

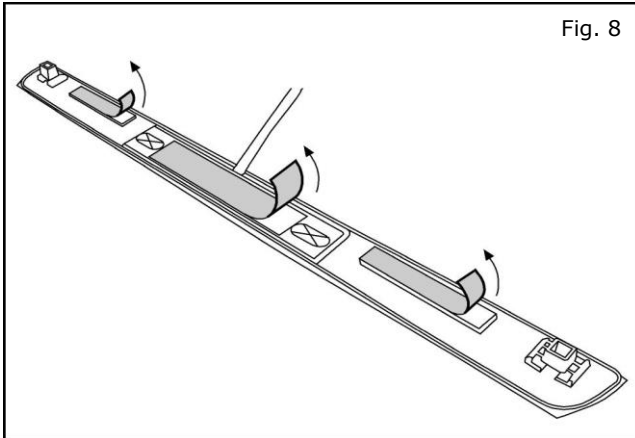
Note: Do not snap plate into place at this time.



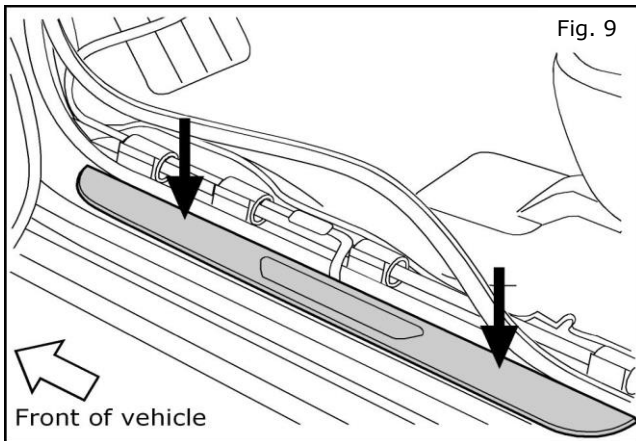
7. Feed the end of the wiring up through the existing harness clips towards the footwell.

INSTALLATION INSTRUCTIONS - Illuminated Kick Plate Kit

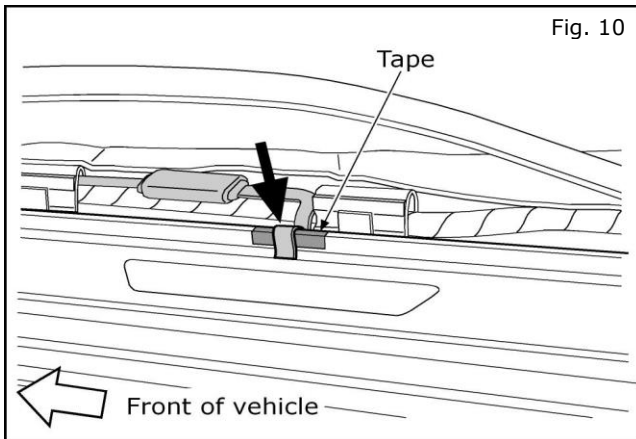
12. INSTALLATION



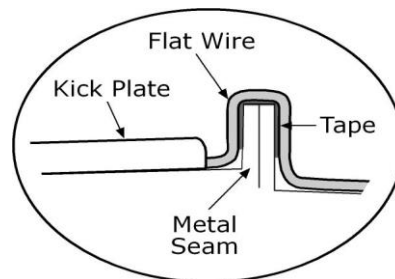
8. Carefully flip the driver Kick Plate over. Remove backing from three (3) adhesive strips located on the back of the Kick Plate.



9. Carefully align Kick Plate with mounting holes and press firmly into position. **Apply minimum 15 lbs of downward pressure evenly along the Kick Plate for at least 30 seconds**

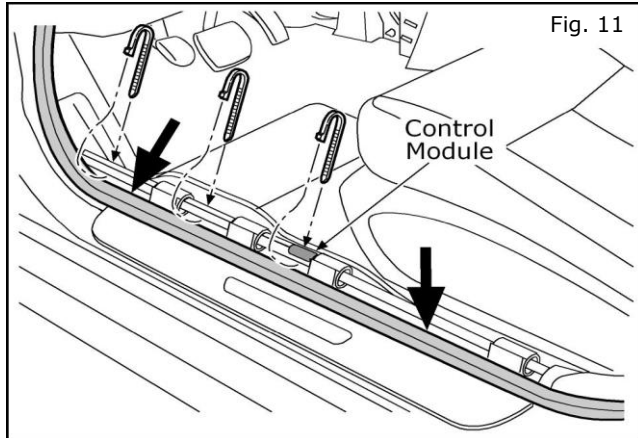


10. Cover the sheet metal edge under the wiring with a piece of protective tape. Remove all slack from the wiring at the plate end. Carefully bend the flat wire to fit tightly over the sheet metal edge.



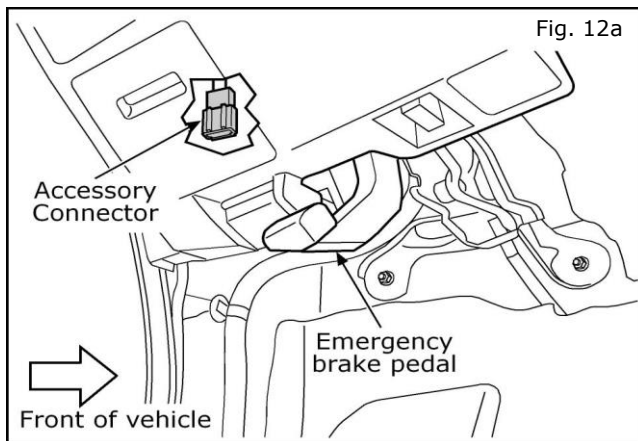
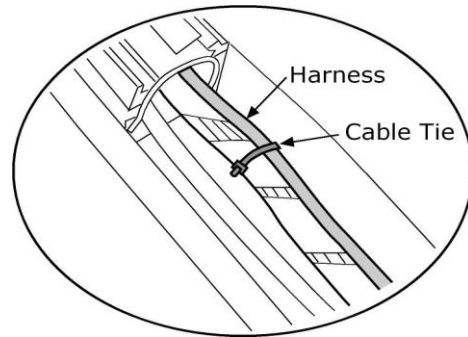
INSTALLATION INSTRUCTIONS - Illuminated Kick Plate Kit

12. INSTALLATION



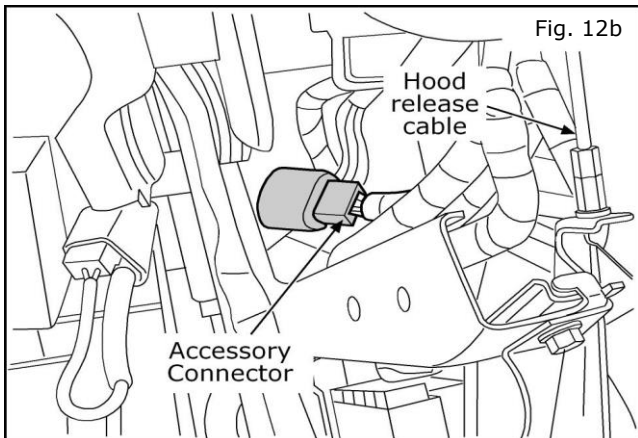
11. Press the door seal welt back down into position. Route the wires along the existing harness. Secure with cable ties as shown.

Note: Be sure to secure the Control Module just ahead of the third clip with a cable tie.



12. Verify the location of the **driver side** Accessory Connector plug. It will be located up under the dash to the right of the fuse block between the hood release and the emergency brake pedal (12a) **OR** at the extreme left hand side of the dash against the A-pillar.

Carefully pull the plug down for easier access.

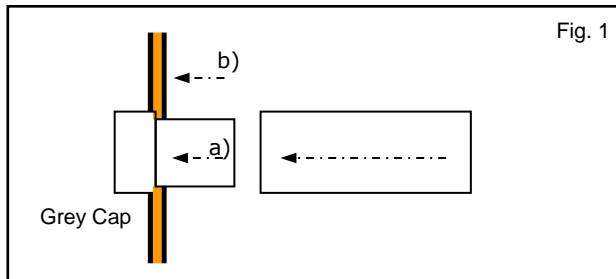


- 12b. This view shows the connector location looking up under the dash from below.

Note: A previously installed accessory may be present. If so, carefully remove the accessory connector harness from the accessory connector plug before posi-tapping. It is recommended that all posi-tapping be completed before reattaching the accessory connector harness to the plug.

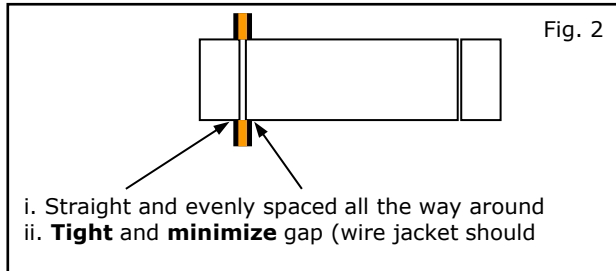
INSTALLATION INSTRUCTIONS - Illuminated Kick Plate Kit

13. POSI TAP INSTRUCTIONS



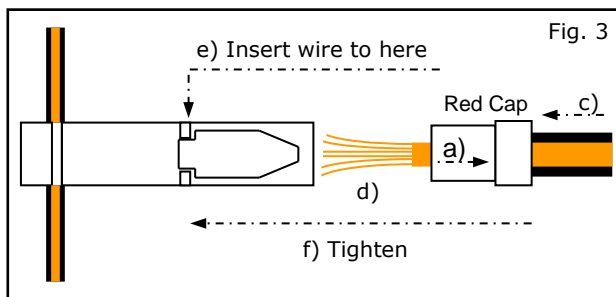
- 1) Tap vehicle wire.
 - a) Remove grey cap (slot side) from tap body.
 - b) Slide cap around vehicle wire.
 - c) Tighten the tap **TIGHT** with finger pressure.

NOTE: Do not re-use the tap for subsequent re-installation. Figures are not to scale

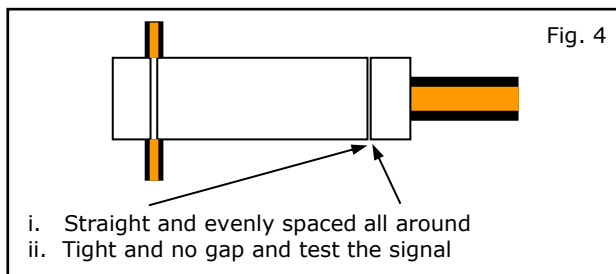


- 2) Inspect the tap to ensure correct installation.

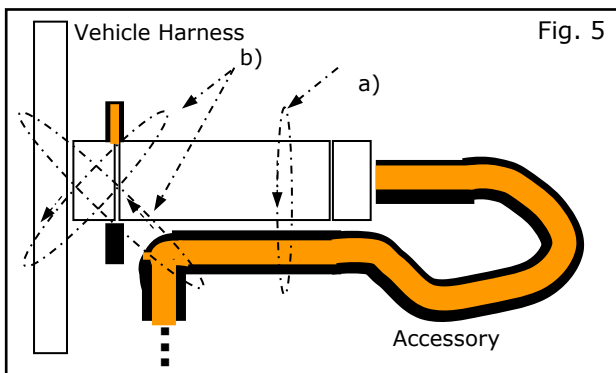
NOTE: Avoid putting pressure on the vehicle wire and tap for the remainder of the installation.



- 3) Inspect the tap to ensure correct installation.
 - a) Remove red cap (non-pierce) side from tap.
 - b) Remove the protective stub from the wire.
 - c) Insert wire through the non-pierce side opening.
 - d) Spread the individual strands into fan shape.
 - e) Insert wire into the tap body and ensure that it is all the way in.
 - f) Tighten the tap **TIGHT** with finger pressure.



- 4) Confirm the tapped accessory wire.
 - a) Inspect the tap to ensure correct installation.
 - b) Test the signal to ensure that it is working properly.



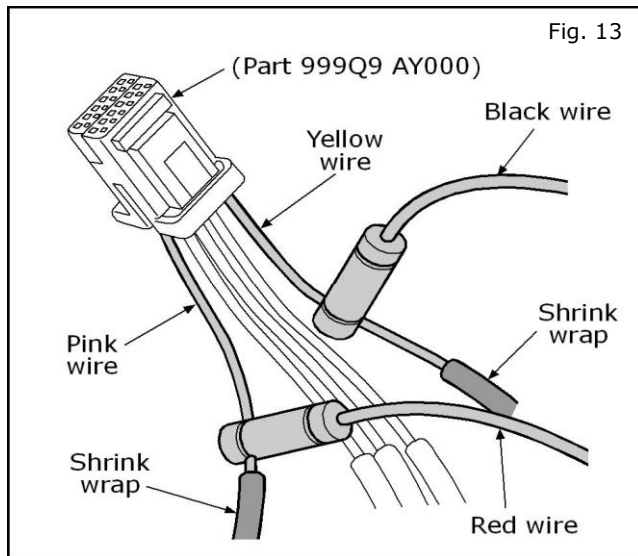
- 5) Secure the tap.
 - a) Secure the tapped wire on the non-pierce side to the body of the tap with electrical tape (≥ 2 revolutions).
 - b) Secure the body to harness where vehicle wire is being tapped with electrical tape (≥ 2 revolutions).

INSTALLATION INSTRUCTIONS - Illuminated Kick Plate Kit

14. INSTALLATION

CAUTION

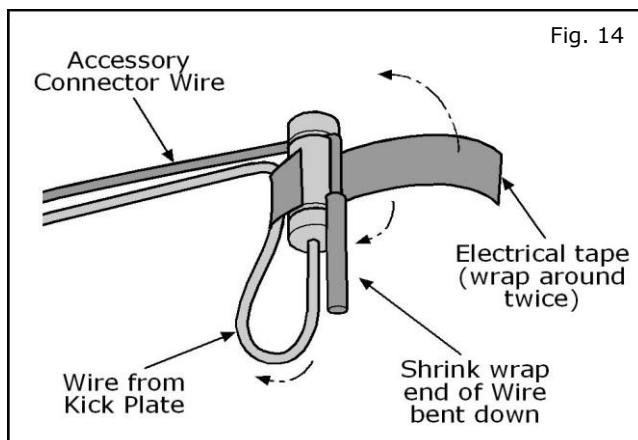
- Color(s) given in illustration(s) are for reference only. Use location(s) where color deviates.
- If a vehicle wire is being used by another accessory and a posi-Tap is present, tap the accessory wire NOT the vehicle wire.



13. Using a posi-tap, connect the **Black** wire from the Kick Plate to the **Yellow** wire on the Accessory Connector Harness.

Using a posi-tap, connect the **Red** wire from the Kick Plate to the **Pink** wire on the Accessory Connector Harness.

**HARNESS NOT INCLUDED IN KIT.
REFERENCE PART NUMBER
999Q9 AY000.**

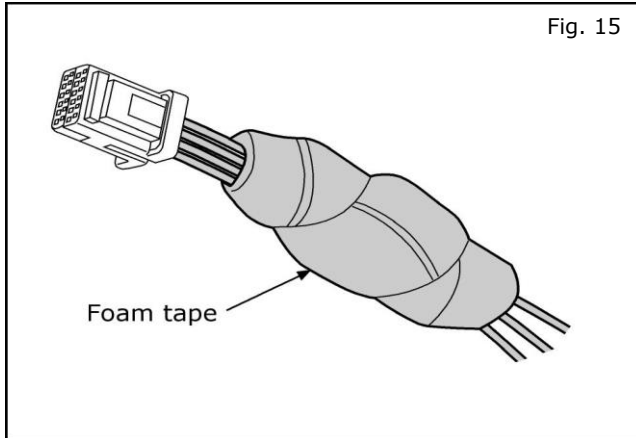


14. **Follow this finishing procedure on all posi-taps.** Leave a short length of wire extended past the posi-tap and bend down as shown. Use electrical tape to secure the extra wire against the posi-tap with at least two revolutions.

Note: Make sure that the end of the wire is completely covered by the tape.

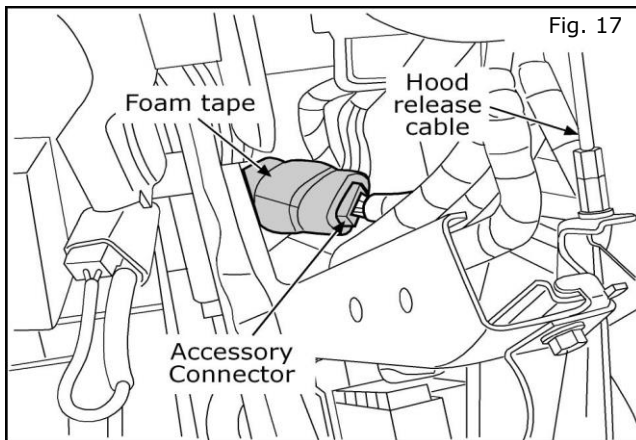
INSTALLATION INSTRUCTIONS - Illuminated Kick Plate Kit

14. INSTALLATION



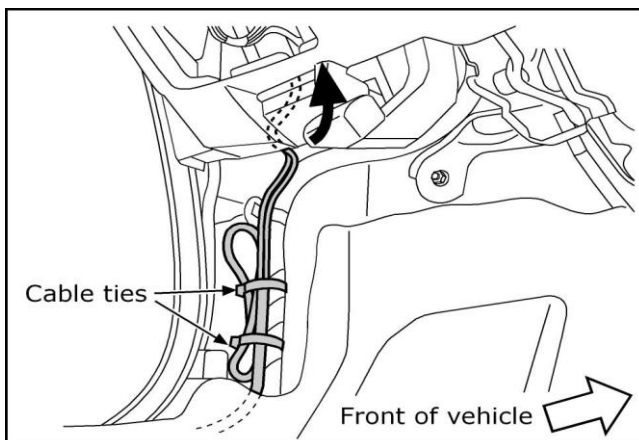
15. Wrap the posi-taps with foam tape to prevent rattle.

16. Route the Accessory Connector Harness up behind the dash panel to the vehicle connector plug on the driver side. Plug the connectors together.



17. Wrap the Connectors in foam tape and position them back up inside the dash above the fuse block.

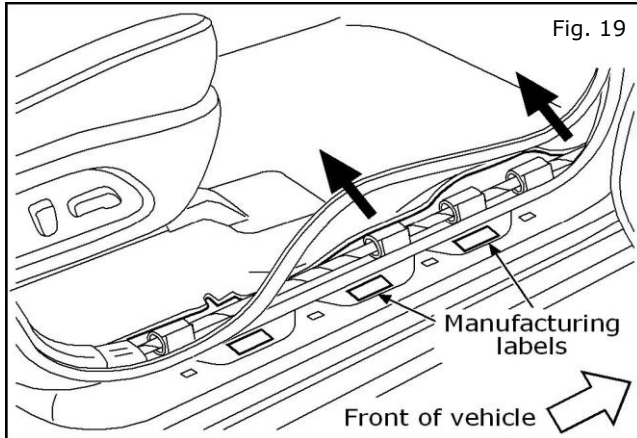
Note: This view is looking up under the dash from below.



18. Route any excess wiring along the existing harness and up under the dash. Secure with cable ties.

INSTALLATION INSTRUCTIONS - Illuminated Kick Plate Kit

14. INSTALLATION

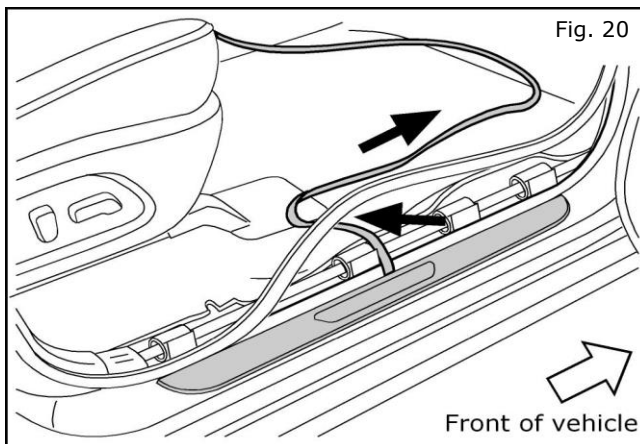


PASSENGER SIDE INSTALLATION

19. Carefully pull back carpet edge to expose existing harness and clips.

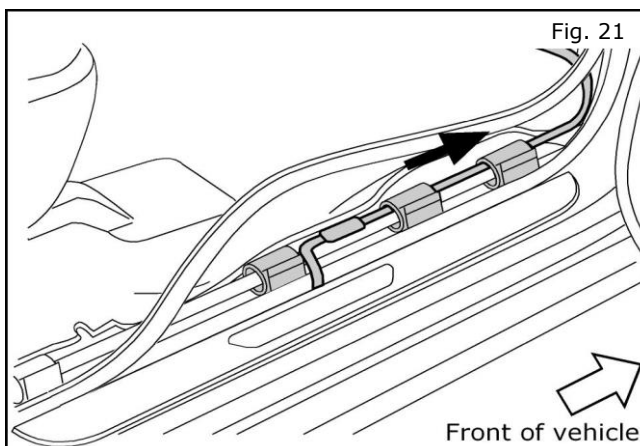
Note: Manufacturing bar code labels do NOT need to remain on the vehicle. Be sure to remove these labels or the Kick Plate adhesive mounting strips may not adhere properly.

Clean all mounting surfaces with alcohol wipe before final installation.



20. Place new Illuminated Kick Plate into position on the passenger side door sill and feed the wiring through under the door welt.

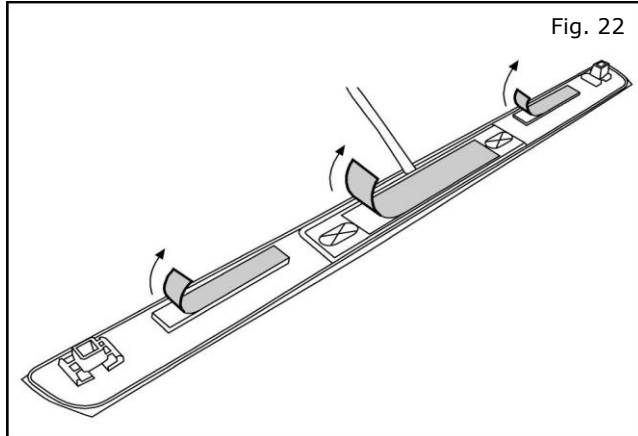
Note: Do not snap plate into place at this time. Do not remove clear protective film until procedure is complete.



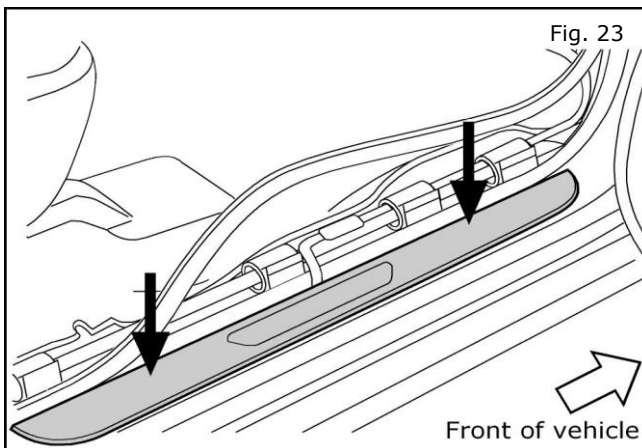
21. Feed the end of the wiring up through the existing harness clips towards the footwell.

INSTALLATION INSTRUCTIONS - Illuminated Kick Plate Kit

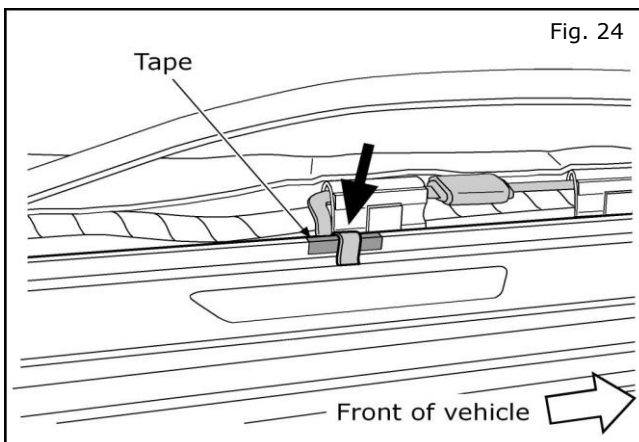
14. INSTALLATION



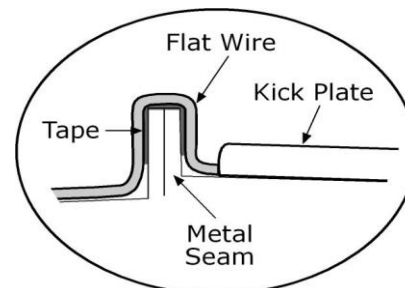
22. Carefully flip the Kick Plate over. Remove backing from three (3) adhesive strips located on the back of the Kick Plate.



23. Carefully align Kick Plate with mounting holes and press firmly into position. **Apply 15 lbs of downward pressure evenly along the Kick Plate for at least 30 seconds**

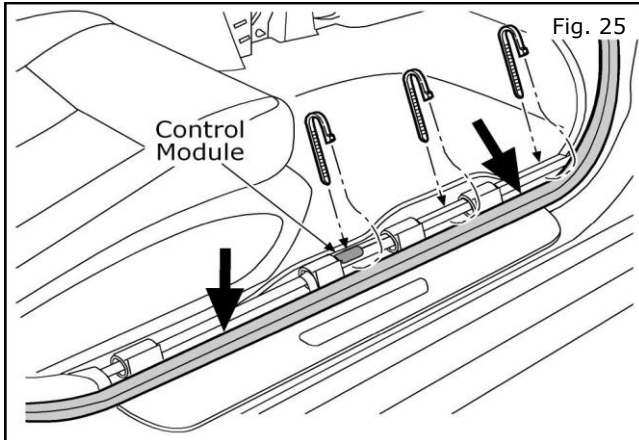


24. Cover the sheet metal edge under the wiring with a piece of protective tape. Remove all slack from the wiring at the plate end. Carefully bend the flat wire to fit tightly over the sheet metal edge.



INSTALLATION INSTRUCTIONS - Illuminated Kick Plate Kit

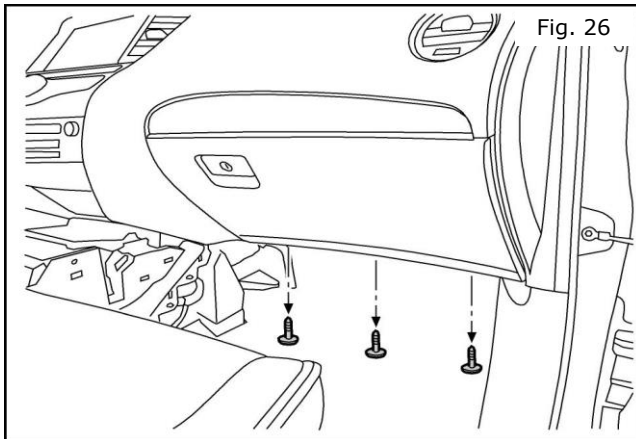
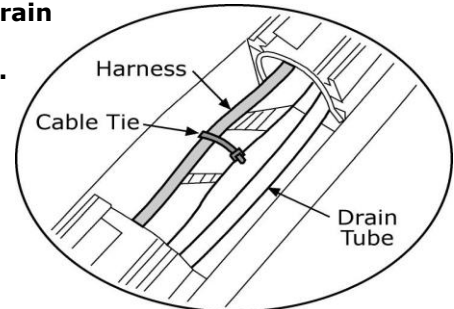
14. INSTALLATION



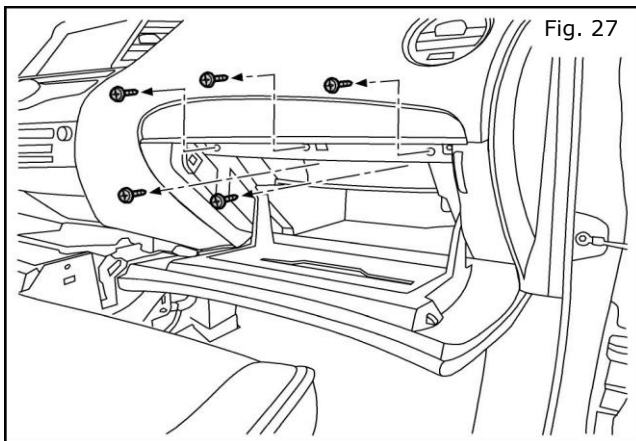
25. Press the door seal welt back down into position. Route the wires along the existing harness. Secure with cable ties as shown.

NOTE: Be sure to secure the Control Module just ahead of the third clip with a cable tie.

NOTE: Do NOT secure the wiring to the drain tube in any way.



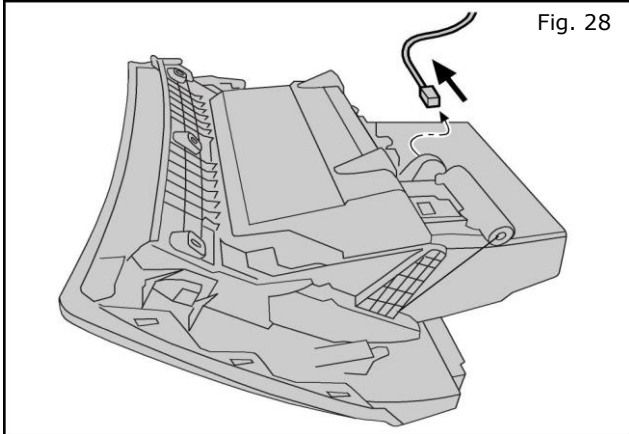
26. Remove three (3) Phillips head screws from the underside of the glovebox.



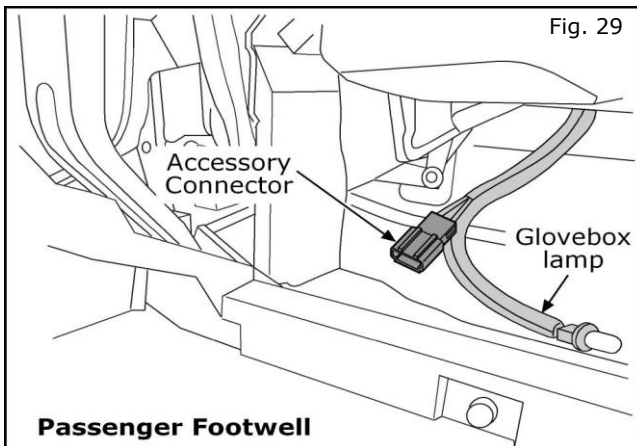
27. Open the glovebox door. Remove five (5) Phillips head screws from inside the glovebox compartment.

INSTALLATION INSTRUCTIONS - Illuminated Kick Plate Kit

14. INSTALLATION

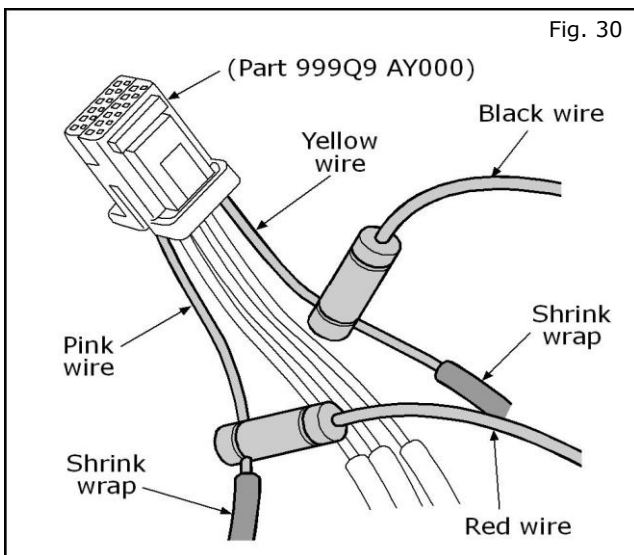


28. Carefully pull out the glovebox assembly. Remove the glovebox lamp. Fully remove the glovebox assembly and set aside.



29. Locate the **passenger side** Accessory Connector plug. It will be located in the glovebox opening on the lamp harness.

Note: A previously installed accessory may be present. If so, carefully remove the accessory connector harness from the accessory connector plug before posi-tapping. It is recommended that all posi-tapping be completed before reattaching the accessory connector harness to the plug.



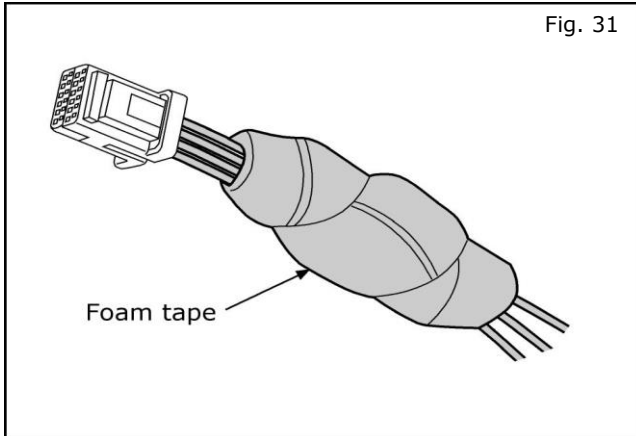
30. Using a posi-tap, connect the **Black** wire from the Kick Plate to the **Yellow** wire on the Accessory Connector Harness.

Using a posi-tap, connect the **Red** wire from the Kick Plate to the **Pink** wire on the Accessory Connector Harness.

**HARNESS NOT INCLUDED IN KIT.
REFERENCE PART NUMBER
999Q9 AY000.**

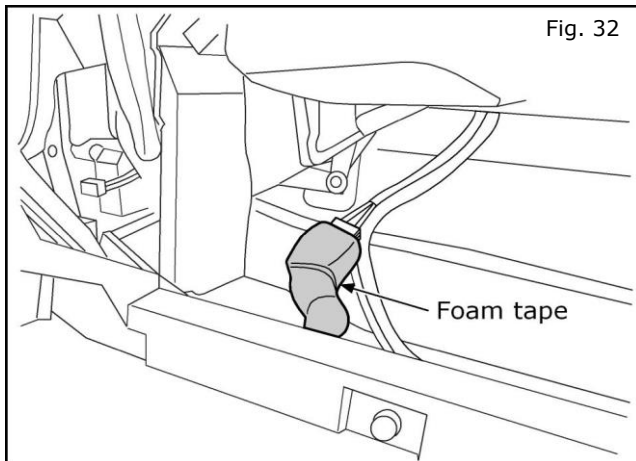
INSTALLATION INSTRUCTIONS - Illuminated Kick Plate Kit

14. INSTALLATION

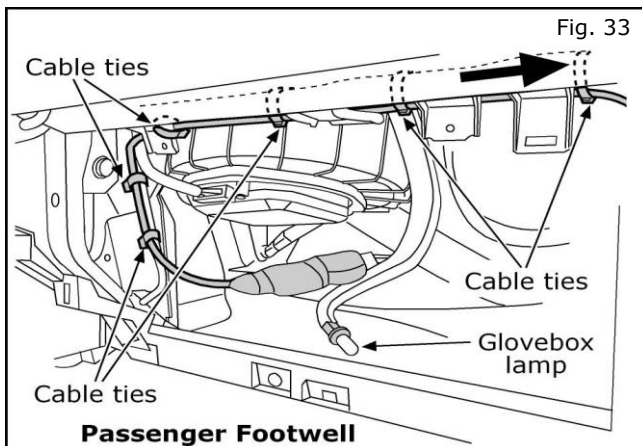


31. Wrap the posi-taps with foam tape to prevent rattle.

Plug the Accessory Connector Harness into the vehicle connector plug on the passenger side.



32. Wrap the connectors in foam tape to prevent rattle.



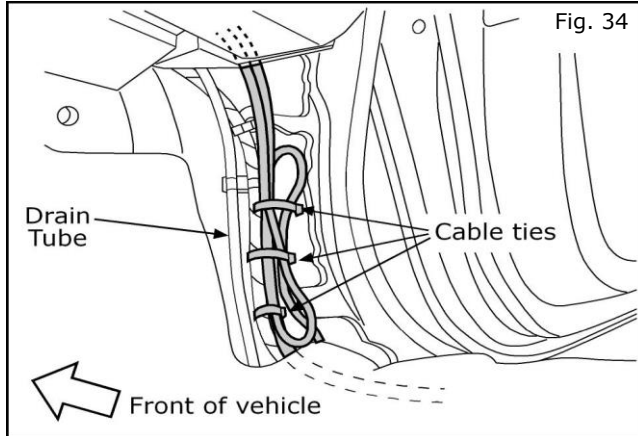
33. Route the **Red** and **Black** wires along the existing harness at the top of the glovebox cavity and out towards the A-pillar. Secure with cable ties as shown.

Note: Do NOT secure the wiring to the blower motor housing in any way.

Note: A functionality test is recommended at this time. Refer to Check Out procedure on page 18.

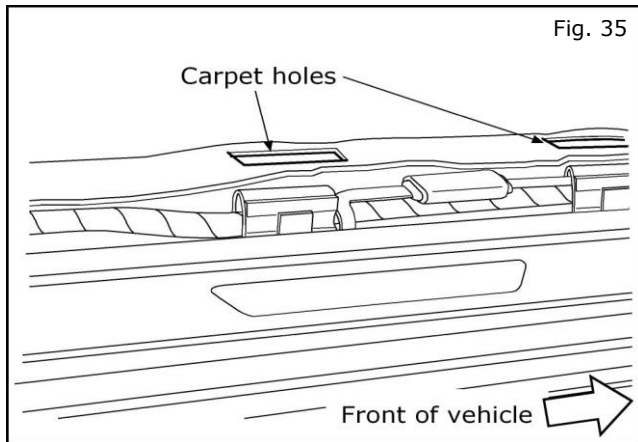
INSTALLATION INSTRUCTIONS - Illuminated Kick Plate Kit

14. INSTALLATION



34. On the **passenger side**, route the wires along the existing harness and up under the dash. Secure any excess wire between the kick plate and the lighting control module with cable ties.

Note: Do NOT secure the wiring to the drain tube in any way.



35. **Reinstall** the side trim panels on **both** sides of the vehicle along the bottom door seals from the seat to the footwell (see fig. 3).

Note: Be sure to align the rectangular carpet holes with the harness routing clips.

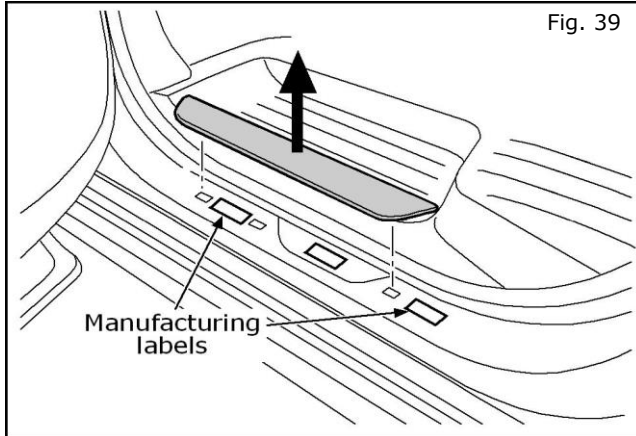
36. **Reinstall** the glovebox assembly (see figs. 26-28).

37. **Reinstall** the footwell trim panels on both sides of the vehicle (see fig. 3).

38. **Reinstall** the trim panels along the bottom of both doors (see fig. 2).

INSTALLATION INSTRUCTIONS - Illuminated Kick Plate Kit

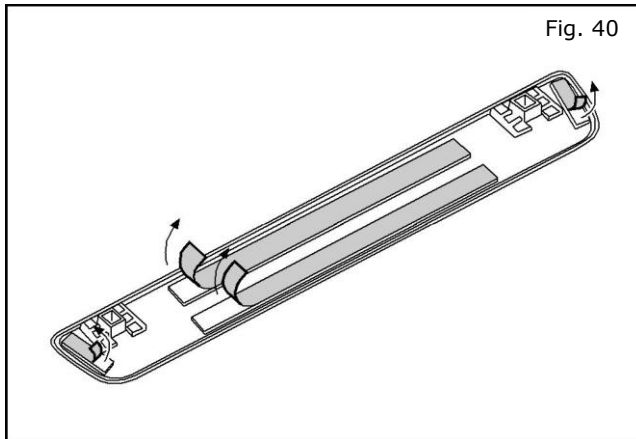
14. INSTALLATION



REAR DOORS

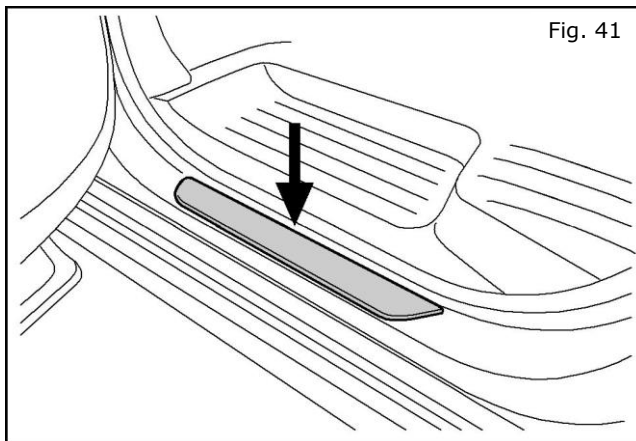
39. Carefully remove the existing kick plate from the driver side rear door rocker area.

Note: Manufacturing bar code labels do NOT need to remain on the vehicle. Be sure to remove these labels or the Kick Plate adhesive mounting strips may not adhere properly.



40. Remove backing from adhesive strips located on the back of the new Kick Plate.

Note: Clean all mounting surfaces with alcohol wipe before final installation.



41. Place new Kick Plate into position on the driver side rear door sill and snap into place. **Apply minimum 2 lbs of downward pressure evenly along the Kick Plate for at least 30 seconds**

42. **REPEAT STEPS 35 THROUGH 37 FOR THE PASSENGER SIDE.**

43. Remove clear protective film from all plates.

Note: Be sure to trim all cable ties. Check all wiring. Make sure all trim is in place and clips are securely fastened.

INSTALLATION INSTRUCTIONS - Illuminated Kick Plate Kit

15. CHECK OUT

Inspect the vehicle for unfinished work.

- (1) Open front left door.
- (2) Verify the illuminated Kick Plate turns on.
- (3) Push and hold the door status switch located on the vehicles center pillar and press the door lock key fob. The kick plate should turn off with the dome lamp in the car within a few minutes.
- (4) Repeat steps 1 - 4 with the front right door.
- (5) Verify the functionality of all electrical vehicle components where harnesses were accessed.
- (6) Check and clear trouble codes (DTC).
- (7) If this vehicle will be returned to a dealer lot or showroom for an extended period of time, be sure the extended storage switch is placed in the "inventory" position.
(Refer to section 9 - Vehicle Preparation)
- (8) If vehicle is NOT going into storage, reset the radio presets to the recorded settings.

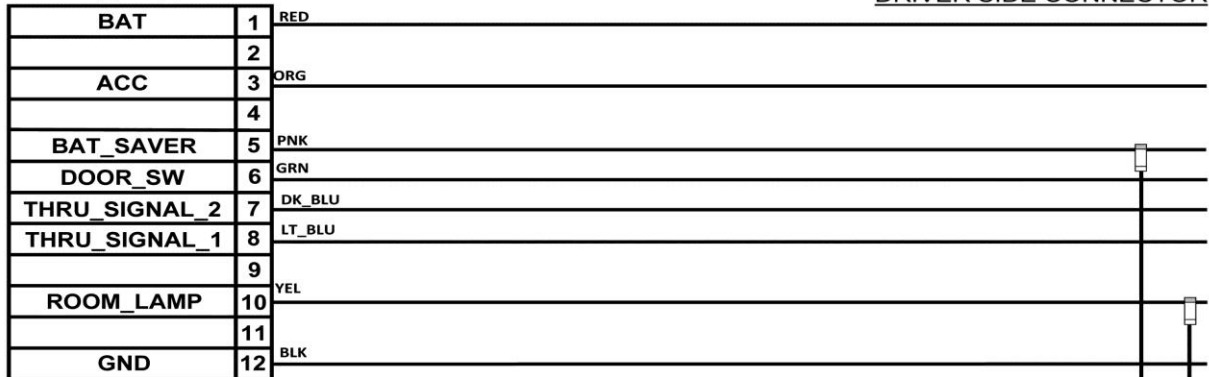
Note: When diagnosing electrical system problems, first disconnect the accessory connectors and note effect on system. Continue the investigation with the accessory connectors disconnected. Remember to reconnect the accessories when the investigation is complete.

INSTALLATION INSTRUCTIONS - Illuminated Kick Plate Kit

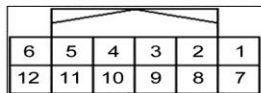
17. MECHANIZATION

ACCY_SER_CONN

DRIVER SIDE CONNECTOR

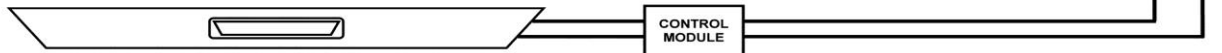


TH12FW-NH



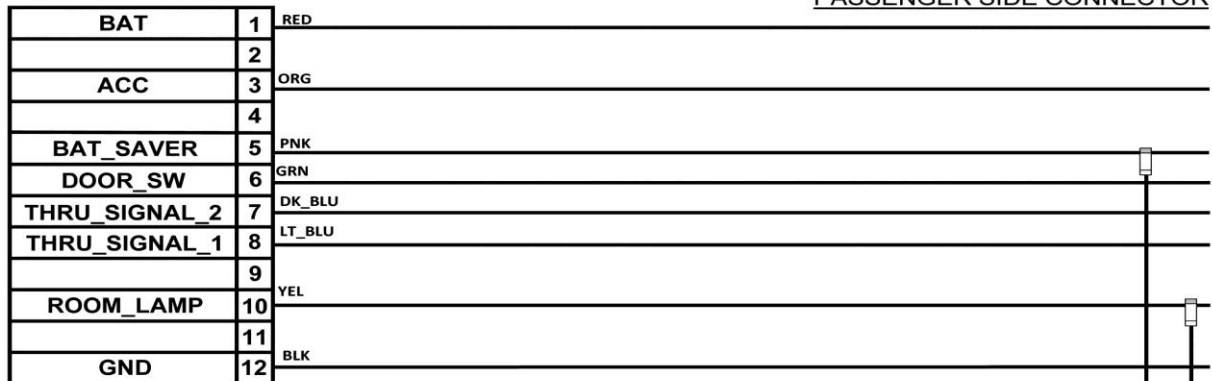
Pin location is referenced looking into connector

IILLUMINATED KICK PLATE - DRVR SIDE

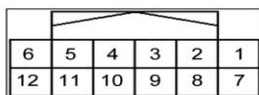


ACCY_SER_CONN

PASSENGER SIDE CONNECTOR



TH12FW-NH



Pin location is referenced looking into connector

IILLUMINATED KICK PLATE - PASS SIDE

